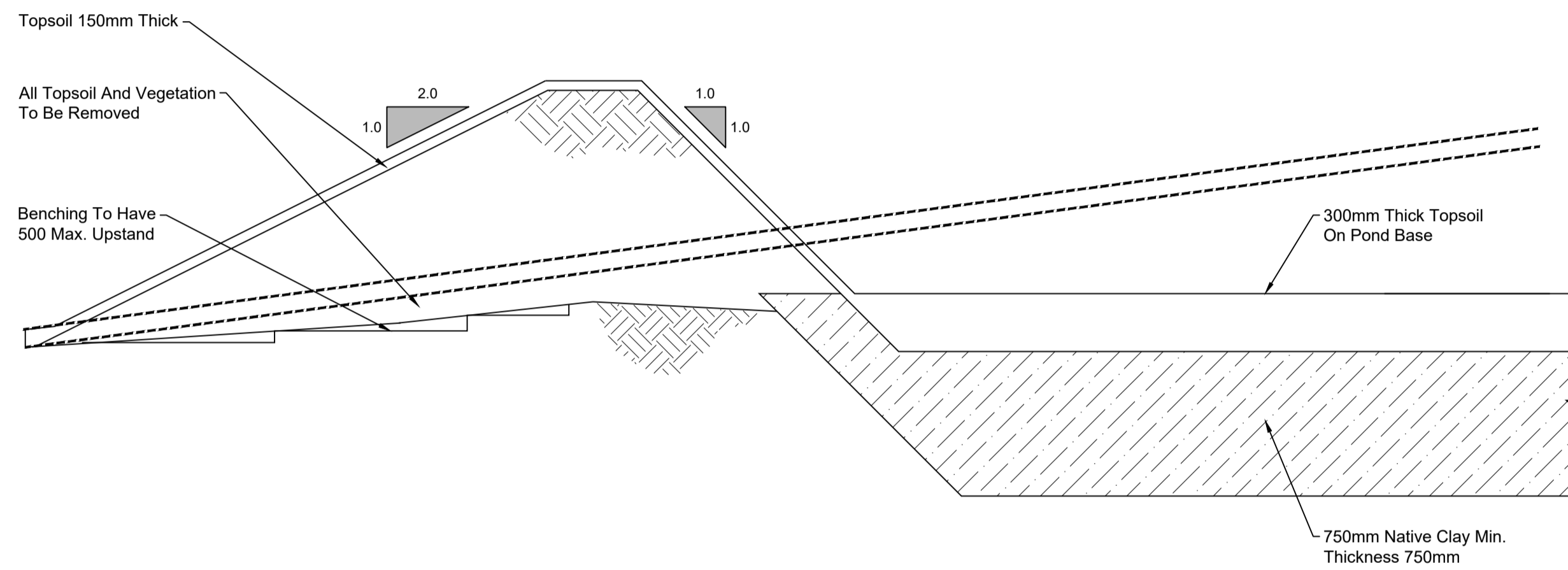


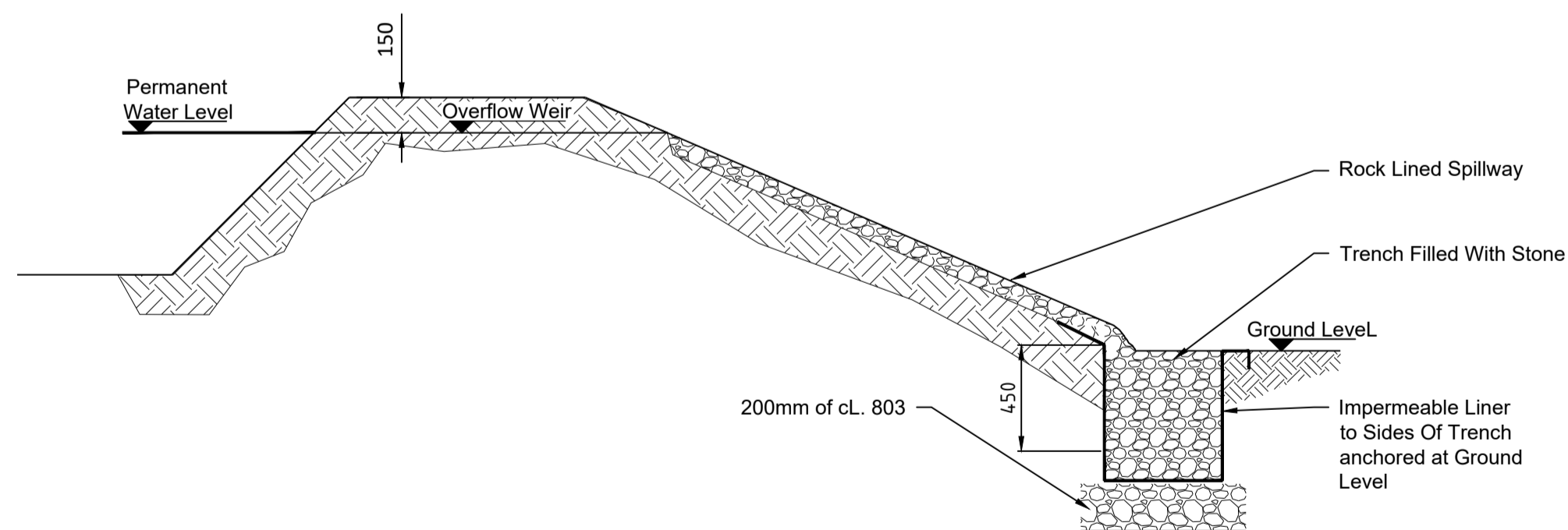
BUND CONSTRUCTION

Scale 1:25



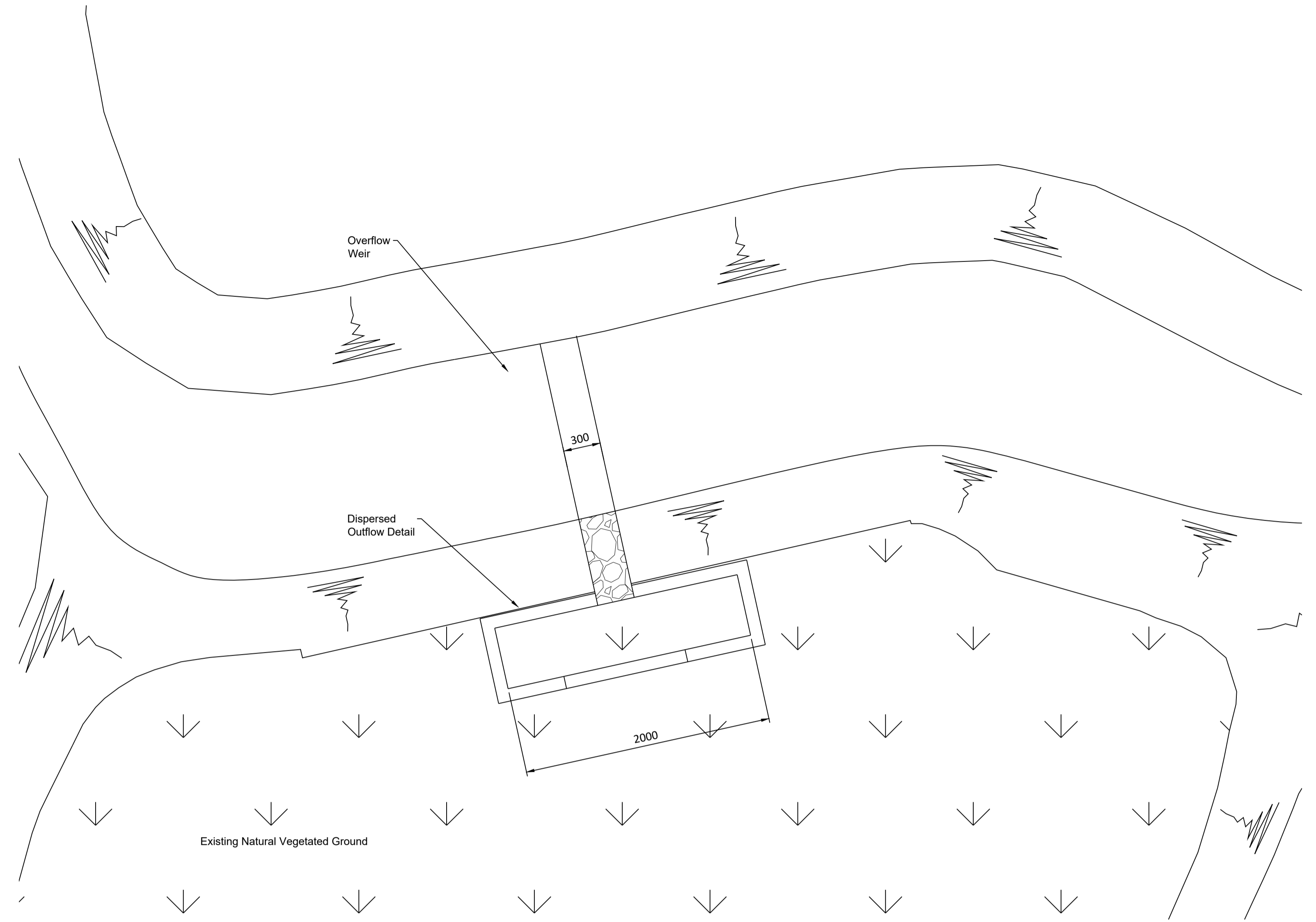
BUND CONSTRUCTION

Scale 1:25



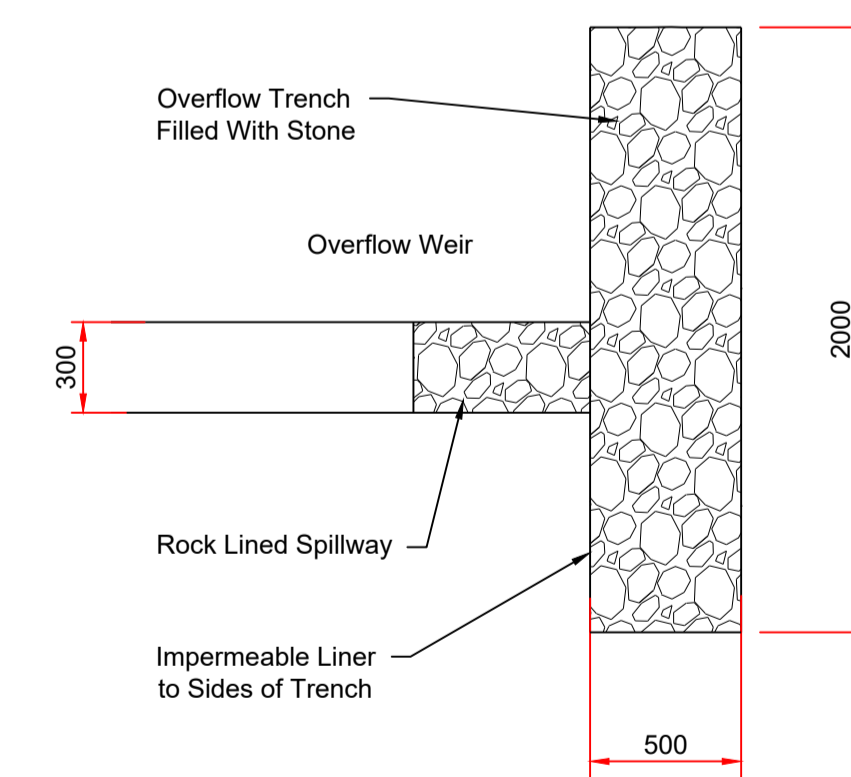
BUND CONSTRUCTION

Scale 1:25



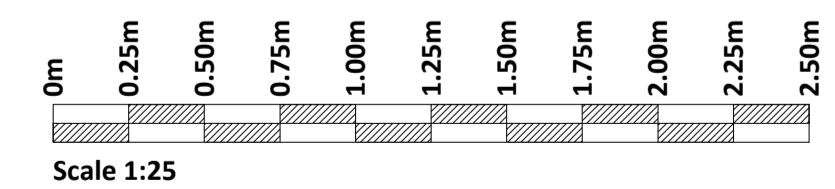
PLAN OF POND OUTFALL DETAIL

Scale 1:25



PLAN

Scale 1:25



If Applicable : Ordnance Survey Ireland Licence No. EN 0001219 © Ordnance Survey Ireland and Government of Ireland



No part of this document may be reproduced or transmitted in any form or stored in any retrieval system of any nature without the written permission of Fehily Timoney & Company as copyright holder except as agreed for use on the project for which the document was originally issued. Do not scale. Use figured dimensions only. If in doubt - Ask!

Rev.	Description	App By	Date
A	ISSUE FOR APPROVAL	JH	17.09.20
B	ISSUE FOR GENERAL COMMENT FOR ALL DRAWINGS	JH	24.11.20
C	ISSUE FOR PLANNING	JH	11.12.20

PROJECT	CROAGHAUN WIND FARM			CLIENT	COILLTE						
SHEET	SETTLEMENT POND DETAIL - SHEET 2 OF 2			Date	17.09.20	Project number	P1913	Scale (@ A1-)	1:25	Rev	C
				Drawn by	SOC	Drawing Number	P1913-0501-0007				
				Checked by	TB						

O:\ACAD\2019\1913\1913-0501-0007