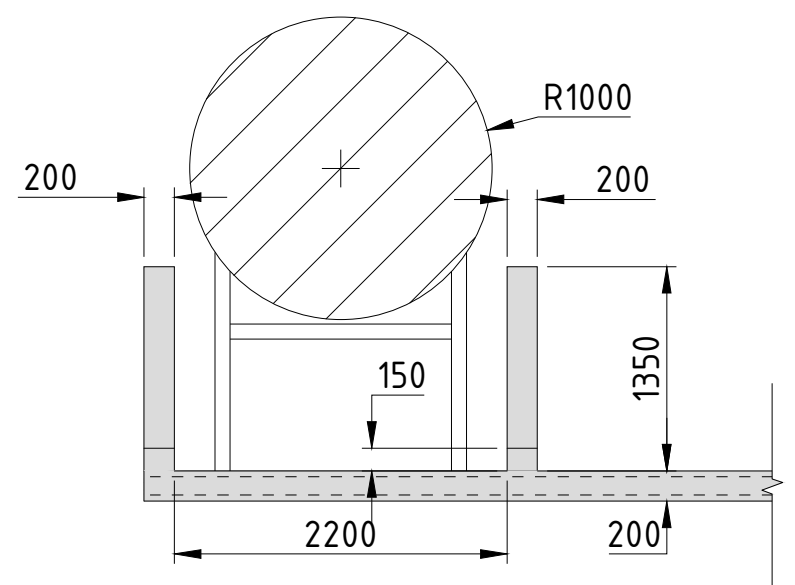
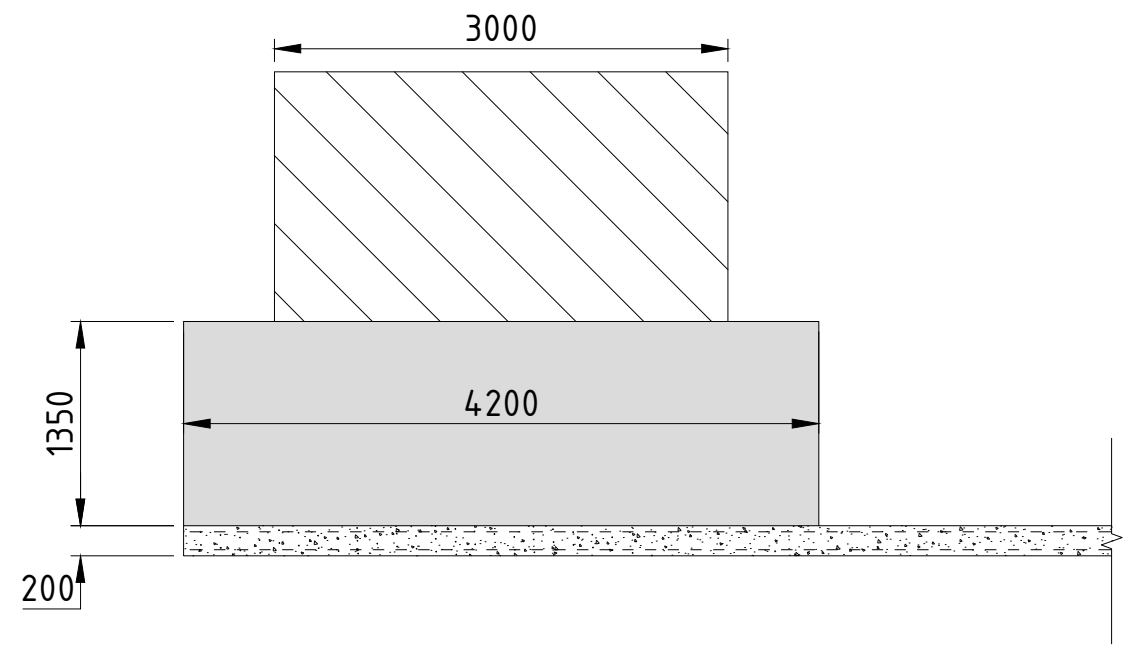


**ELEVATION VIEW 1**  
**PLAN**  
Scale 1:50

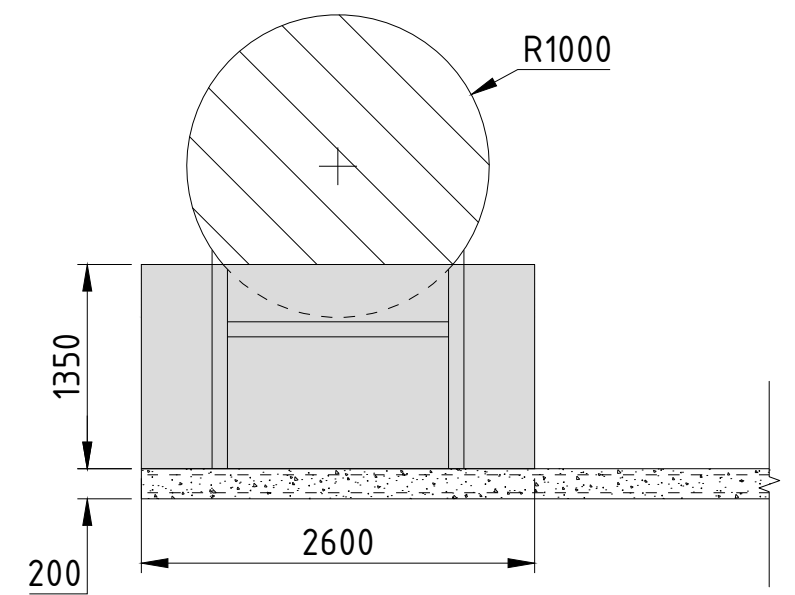
ELEVATION VIEW 2



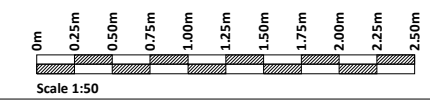
**SECTION A-A**  
Scale 1:50



**ELEVATION VIEW 1**  
Scale 1:50



**ELEVATION VIEW 2**  
Scale 1:50



If Applicable : Ordnance Survey Ireland Licence No. EN 0001219 © Ordnance Survey Ireland and Government of Ireland



No part of this document may be reproduced or transmitted in any form or stored in any retrieval system of any nature without the written permission of Fehily Timoney & Company as copyright holder except as agreed for use on the project for which the document was originally issued. Do not scale. Use figured dimensions only. If in doubt - Ask!

Rev.	Description	App By	Date
A	ISSUE FOR APPROVAL	JH	17.09.20
B	ISSUE FOR GENERAL COMMENT FOR ALL DRAWINGS	JH	24.11.20
C	ISSUE FOR PLANNING	JH	11.12.20

PROJECT	CLIENT		
<b>CROAGHAUN WIND FARM</b>	<b>COILLTE</b>		
<b>SHEET</b> <b>DETAIL OF BUNDED FUEL AREA</b>	Date	17.09.20	Project number
	Drawn by	SOC	P1913
	Checked by	TB	Drawing Number
			<b>P1913-0501-0005</b>
		Scale (@ A3-)	1:50
		Rev	<b>C</b>

O:\ACAD\2019\1913\1913-0501-0005

10 December 2020