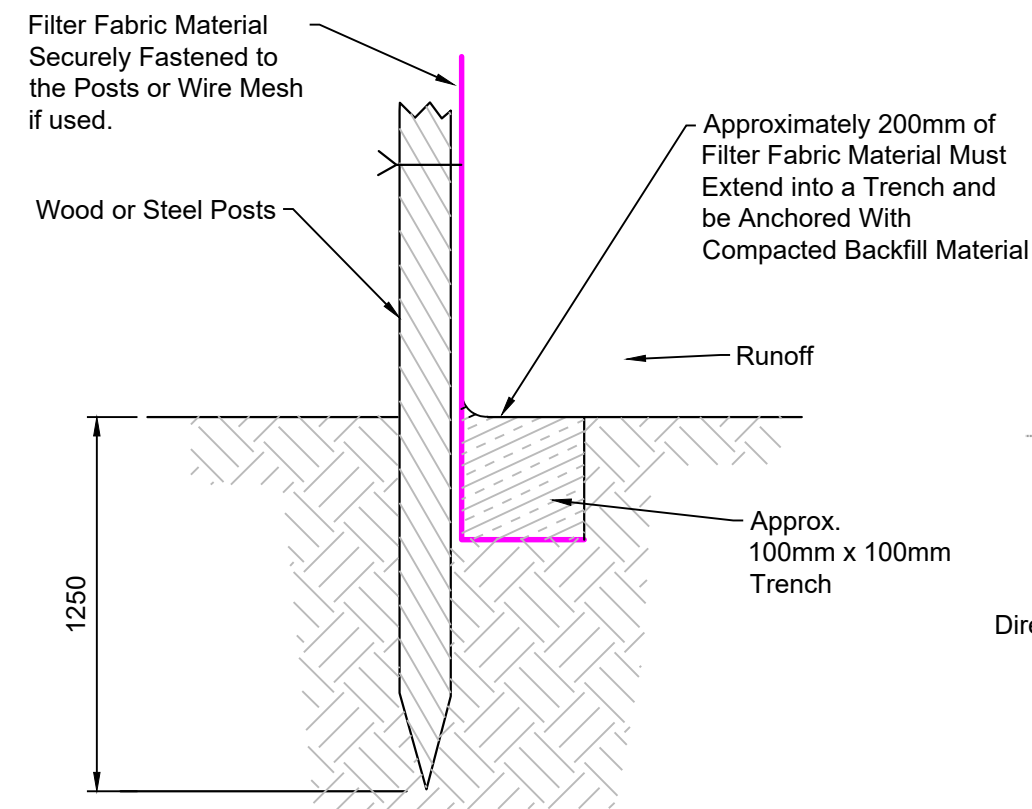
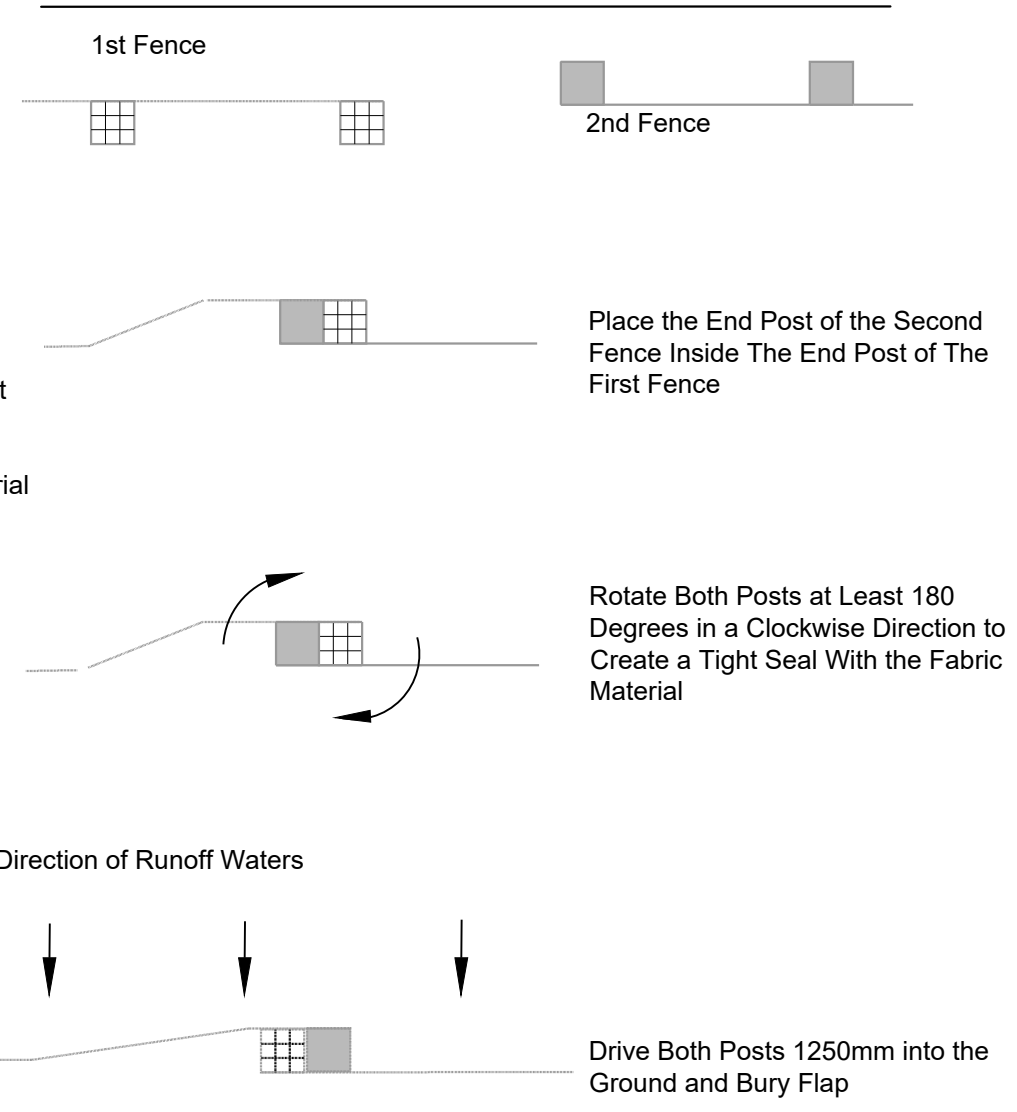


Attaching Two Silt Fences



If Applicable : Ordnance Survey Ireland Licence No. EN 0001219 © Ordnance Survey Ireland and Government of Ireland

Rev.	Description	App By	Date
A	ISSUE FOR APPROVAL	JH	07.09.20
B	ISSUE FOR GENERAL COMMENT FOR ALL DRAWINGS	JH	24.11.20
C	ISSUE FOR PLANNING	JH	11.12.20

PROJECT	CROAGHAUN WIND FARM			CLIENT	COILLTE		
SHEET	SILT FENCE DETAILS			Date	07.09.20	Project number	P1913
				Scale (@ A3-)	1:25		Rev
				Drawn by	SOC		C
				Checked by	TB		
				Drawing Number	P1913-0501-0001		